

Table of Contents

1800 Series Telephone Entry Systems

Model 1802	4
Model 1802 EPD	5
Model 1803	6
Model 1808	7
Model 1810	8

Intercom (Telephone) Systems

Model 1812 Classic	10
Model 1812 Plus	11
Model 1816	12
Model 1820	13
1816 / 1820 Lobby Panels	14-15

Information Phone

1819	16
------------	----

Light Kits / Directories

1720 Light Kit	17
1701, 1702, 1710 Add-On Directories	18

Mounting Posts / Mounting Kits

Mounting Kits	19
Mounting Posts and Kiosks	20-22

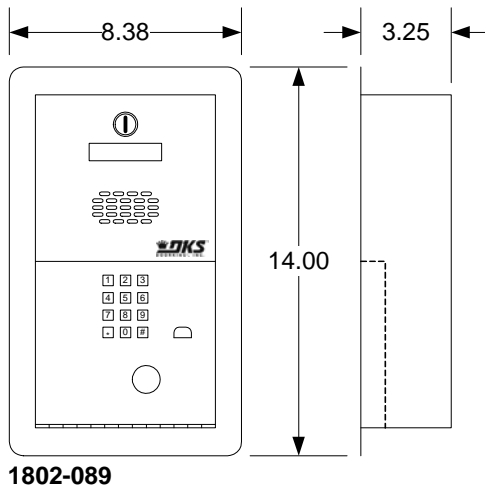
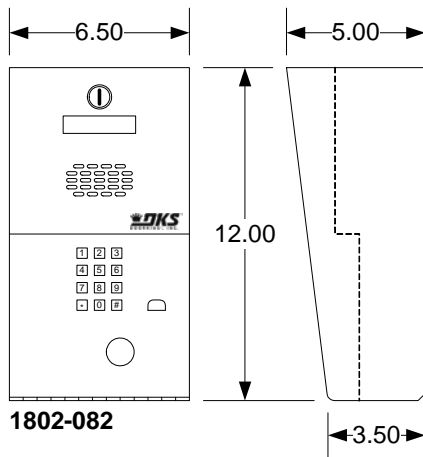
Accessories, Replacement Components

Postal / Fire Department Lock Boxes	23
Exit Push Buttons	24
Time Clocks & Surge Suppressers	25
Accessory Transformers	26
Handsets, CCTV Camera Kits	27
Replacement Components	28

Model 1802

Telephone Entry

The 1802 is an ideal telephone entry system that is suited for applications that have limited space and can be used in residential as well as commercial applications, applications that do not require a directory, or in applications where a separate directory exist. Visitors are easily identified by voice communication and can be granted or denied access directly from a touch-tone telephone.



1802 - 1000 Memory

1802-082 Surface Mount Stainless	1020.00
1802-089 Flush Mount Stainless	1280.00

- Includes 16 VAC power transformer

Accessories

1701-080 20-Name Directory	130.00
1702-080 60-Name Directory	190.00
1710-080 Large Directory Surface Mount	400.00
1710-081 Large Directory Flush Mount	400.00
2600-588 Heater Kit	114.00
1814-075 Secondary Keypad	370.00

- Surface mount secondary keypad

1807-012 Handset Kit	350.00
----------------------------	--------

- Not available on flush mount unit

1802-111 Post Mount Adapter Plate	99.00
---	-------

- Required to mount surface mount units to mounting posts

Color Camera Kits	Pg 27
-------------------------	-------

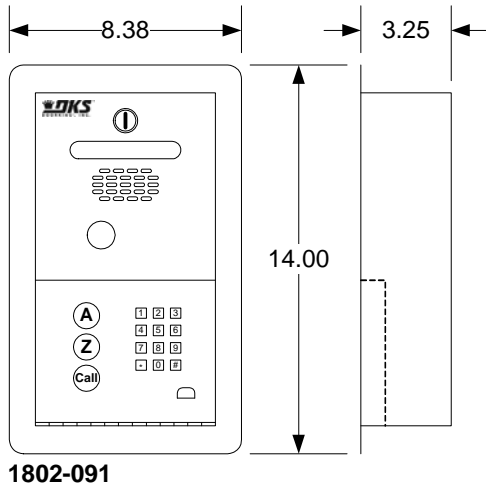
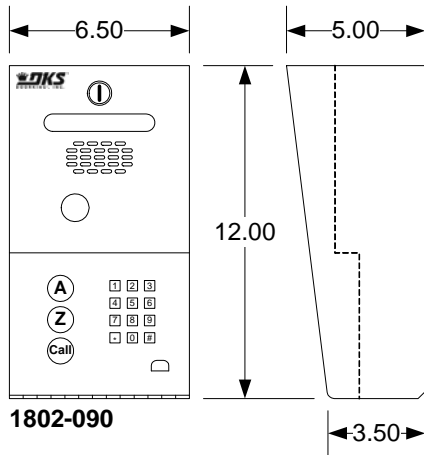
Mounting Posts and Kiosks	Pg 20-22
---------------------------------	----------

Model 1802 Specifications			
Max Phone Numbers	Max Entry Codes	Relays	Directory
1000	1000	2	None

Model 1802-EPD (Electronic Programmable Directory)

Telephone Entry

The 1802 EPD is an ideal telephone entry system that is suited for applications that have limited space and can be used in residential as well as commercial applications. The built-in Electronic Directory eliminates the need for external or add-on directories. Visitors are easily identified by voice communication and can be granted or denied access directly from a touch-tone telephone. **This system IS NOT PC programmable.**



1802 EPD - 100 Memory

1802-090 Surface Mount Stainless	1250.00
1802-091 Flush Mount Stainless	1510.00

- Includes 16 VAC power transformer

Accessories

2600-582 LCD Heater	44.00
1807-012 Handset Kit	350.00

- Not available on flush mount unit

1814-075 Secondary Keypad	370.00
---------------------------------	--------

- Surface mount secondary keypad

1802-111 Post Mount Adapter Plate	99.00
---	-------

- Required to mount surface mount units to mounting posts

Color Camera Kits	Pg 27
-------------------------	-------

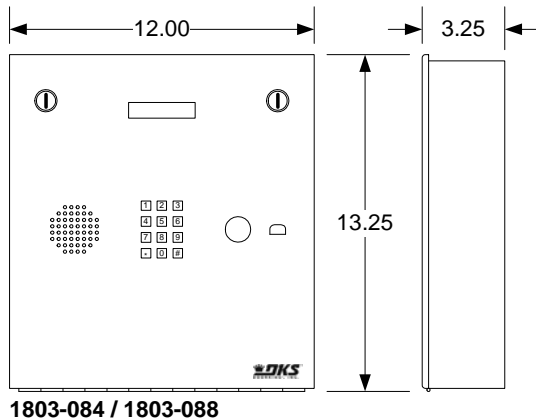
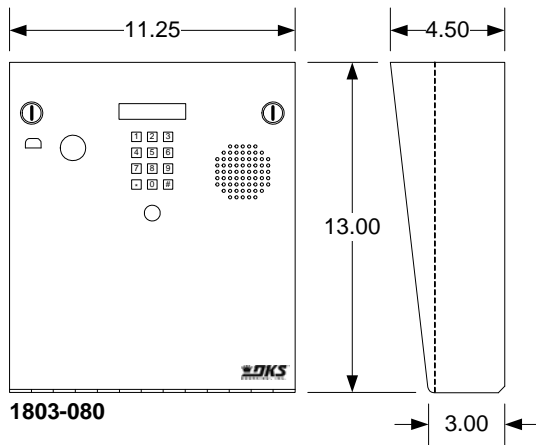
Mounting Posts and Kiosks	Pg 20-22
---------------------------------	----------

Model 1802-EPD Specifications			
Max Phone Numbers	Max Entry Codes	Relays	Directory
100	100	2	Single-line 16 Character 5/16-in LCD

Model 1803

Telephone Entry

The 1803 is an ideal telephone entry system that is suited for applications that do not require a directory or in applications where a separate directory exists. Visitors are easily identified by voice communication and can be granted or denied access directly from a touch-tone telephone.



1803 – 1000 Memory

1803-080 Surface Mount Stainless	1340.00
1803-084 Flush Mount Stainless.....	1340.00
1803-088 Flush Mount Gold Plated	1990.00

- Includes 16 VAC power transformer

Mounting Options

1803-150 Surface Mount Recess Kit	196.00
1814-165 Flush Mount Kit Stainless.....	330.00
1814-166 Flush Mount Kit Gold	870.00
1814-152 Surface Ring for Flush Units Stainless	196.00

- See page 19 for additional information on mounting kits

Mounting Posts and Kiosks Pg 20-22

Accessories

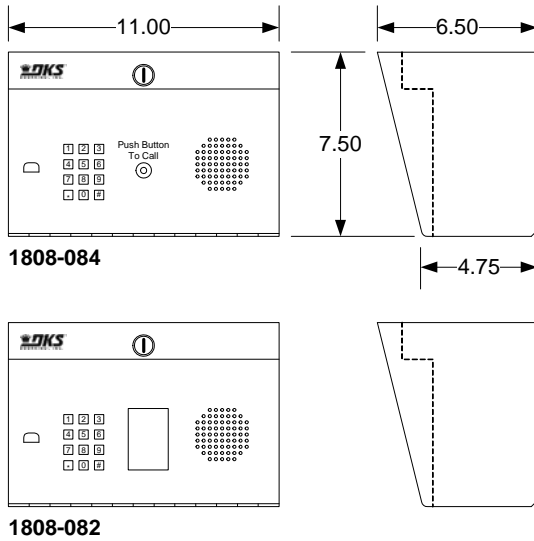
1701-080 20-Name Directory	130.00
1702-080 60-Name Directory	190.00
1710-080 Large Directory Surface Mount.....	400.00
1710-081 Large Directory Flush Mount	400.00
1720-080 Fluorescent Light Kit	368.00
2600-584 Heater Kit.....	140.00
1814-075 Secondary Keypad	370.00
• Surface mount secondary keypad	
1807-012 Handset Kit	350.00
• Not available on flush mount unit	
Color Camera Kits	Pg 27

Model 1803 Specifications			
Max Phone Numbers	Max Entry Codes	Relays	Directory
1000	1000	2	None

Model 1808

Telephone Entry

The 1808 (see Section 4 for 1808 Access Plus) is an ideal telephone entry system that is suited for applications that have limited space and can be used in residential as well as commercial applications. Visitors are easily identified by voice communication and can be granted or denied access directly from a touch-tone telephone.



1808 – 1000 Memory

1808-084 Surface Mount Stainless	1250.00
1808-082 Surface Mount w/Directory	1340.00

- Includes 16 VC power transformer

Accessories

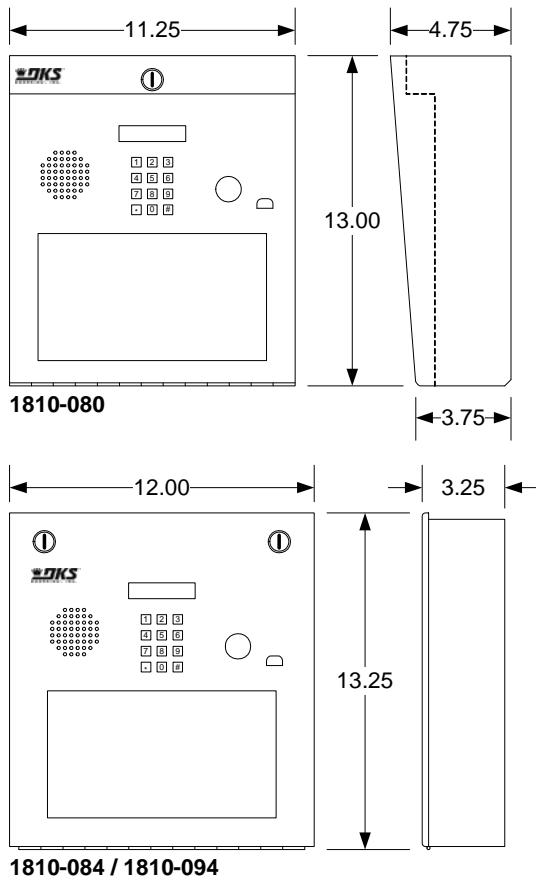
1701-080 20-Name Directory.....	130.00
1702-080 60-Name Directory.....	190.00
1710-080 Large Directory Surface Mount	400.00
1710-081 Large Directory Flush Mount	400.00
2600-588 Heater Kit.....	114.00
1814-075 Secondary Keypad.....	370.00
• Surface mount secondary keypad	
Color Camera Kits.....	Pg 27
Mounting Posts.....	Pg 20-21

Model 1808 Specifications			
Max Phone Numbers	Max Entry Codes	Relays	Directory
1000	1000	2	None or Small Paper Directory

Model 1810

Telephone Entry

The 1810 (see Section 4 for 1810 Access Plus) is an ideal telephone entry system that is suited for a wide variety of applications. The built-in lighted directory makes it a complete all-in-one compact unit and it is easy for managers to update by using a word processing program. Visitors are easily identified by voice communication and can be granted or denied access directly from a touch-tone telephone.



1810 – 1000 Memory

1810-080 Surface Mount Stainless	1300.00
1810-084 Flush Mount Stainless	1300.00
1810-092 Flush Mount Gold Plated	1950.00

- Includes 16 VAC power transformer

Mounting Options

1803-150 Surface Mount Recess Kit	196.00
1814-165 Flush Mount Kit Stainless	330.00
1814-166 Flush Mount Kit Gold	870.00
1814-152 Surface Ring for Flush Units Stainless	196.00

- See page 19 for additional information on mounting kits

1810-102 Stainless Surface Mount Housing	330.00
Mounting Posts and Kiosks	Pg 20-22

Accessories

1701-080 20-Name Directory	130.00
1702-080 60-Name Directory	190.00
1710-080 Large Directory Surface Mount	400.00
1710-081 Large Directory Flush Mount	400.00
1720-080 Fluorescent Light Kit	368.00
2600-584 Heater Kit	140.00
1814-075 Secondary Keypad	370.00

- Surface mount secondary keypad

1807-012 Handset Kit	350.00
----------------------------	--------

- Handset not available on flush mount unit

Color Camera Kits	Pg 27
-------------------------	-------

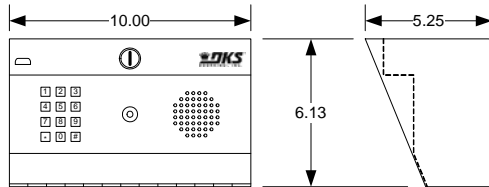
Model 1810 Specifications			
Max Phone Numbers	Max Entry Codes	Relays	Directory
1000	1000	2	Paper

Blank Page

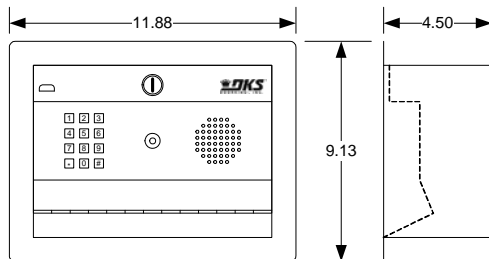
Model 1812 Classic

Intercom (Telephone)

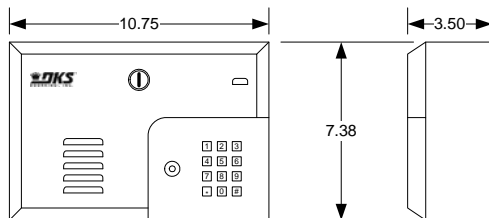
The 1812 Classic is a unique intercom system that allows homeowners to use their telephone as an intercom to speak to a guest at a front door or gate. Visitors are easily identified by voice communication and can be granted or denied access directly from a touch-tone telephone.



1812-081 / 1812-085



1812-087 / 1812-086



1812-088

1812 Classic

1812-081 Surface Mount Stainless	1450.00
1812-085 Surface Mount Gold Plated Faceplate	1670.00
1812-097 Surface Mount (081) w/Camera	2300.00
1812-087 Flush Mount Stainless	1640.00
1812-086 Flush Mount Gold Plated Faceplate	1850.00
1812-088 Wall Mount	1640.00

- Includes 24 VAC power transformer

Housing Options

1812-105 Stainless Steel Housing	220.00
• For 1812-081 and 1812-085	
1812-106 Gold Plated Housing	380.00
• For 1812-081 and 1812-085	

Accessories

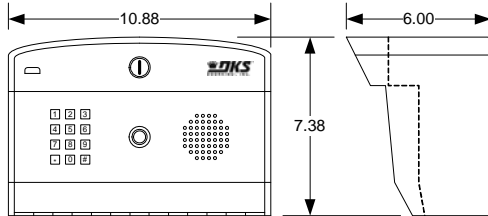
1812-082 Secondary Keypad	370.00
• Surface mount secondary keypad	
1812-197 Secondary Keypad	402.00
• Flush mount secondary keypad	
2600-588 Heater Kit	114.00
Color Camera Kits	Pg 27
Mounting Posts and Kiosks	Pg 20-22

1812 Classic Specifications			
Voice Circuit	Forwarding Numbers	Max Entry Codes	Relays
Analog	3	50	2

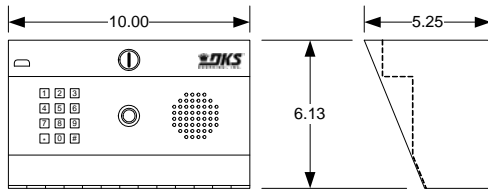
Model 1812 Plus

Intercom (Telephone)

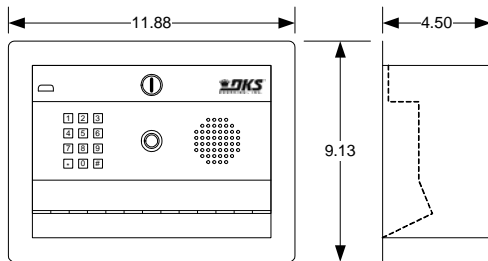
The 1812 Plus (see Section 4 for 1812 Access Plus) is a unique intercom system that allows homeowners to use their telephone as an intercom to speak to a guest at a front door or gate. Visitors are easily identified by voice communication and can be granted or denied access directly from a touch-tone telephone. The 1812 Plus uses an advanced new processor, stores up to 27 phone numbers and offers a crystal clear high definition digital voice circuit.



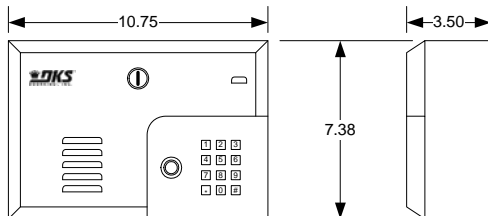
1812-095



1812-089 / 1812-076



1812-091 / 1812-078



1812-093

1812 Plus

1812-095 Surface Mount Curved	1750.00
1812-089 Surface Mount Stainless	1550.00
1812-076 Surface Mount Gold Plated Faceplate.....	1770.00
1812-098 Surface Mount (089) w/Camera	2400.00
1812-091 Flush Mount Stainless	1740.00
1812-078 Flush Mount Gold Plated Faceplate	1950.00
1812-093 Wall Mount	1740.00

- Includes 16 VAC power transformer

Housing Options

1812-105 Stainless Steel Housing	220.00
• For 1812-089 and 1812-076	
1812-106 Gold Plated Housing.....	380.00
• For 1812-089 and 1812-076	

Accessories

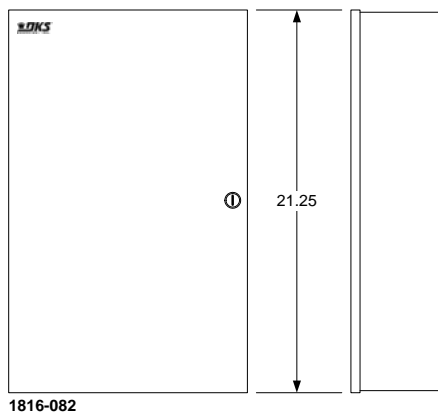
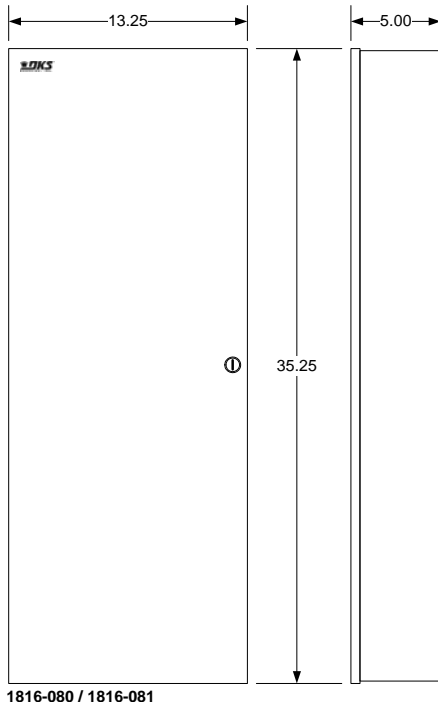
1812-082 Secondary Keypad.....	370.00
• Surface mount secondary keypad	
1812-197 Secondary Keypad.....	402.00
• Flush mount secondary keypad	
2600-588 Heater Kit.....	114.00
1812-073 Conversion Kit	1273.50
• Upgrades an older 1812 with an 1871-010 circuit board to an 1812 Plus with the 1971-010 circuit board	
Color Camera Kits.....Pg 27	
Mounting Posts and Kiosks	Pg 20-22

1812 Plus Specifications			
Voice Circuit	Forwarding Numbers	Max Entry Codes	Relays
HD Digital	27	50	2

Model 1816

Intercom (Telephone)

The 1816 Intercom System is a unique communication and access control device that provides two-way voice communication and control of a main entry door through the resident's own telephone without the need of a central office (C.O.) phone line. This eliminates the need for monthly line charges and equipment lease payments.



Step 1: Choose a Main Control Cabinet

1816-080 Houses 13 Relay Boards (156 Lines).....	1840.00
1816-082 Houses 5 Relay Boards (60 Lines).....	1620.00

- Main control cabinets do not include relay boards

Step 2: Relay Boards

1982-010

1 – 13 Boards	590.00
14 – 29 Boards	550.00
30 + Boards	510.00

- One (1) relay board required for every 12 phone lines to be interfaced

Step 3: Decoder Boards (if required)

1881-010.....	270.00
---------------	--------

- Decoder board(s) are required if system expands beyond five (5) relay boards
- One (1) decoder board is required for every eight (8) relay boards added to the system after the first five (5) relay boards.

Step 4: Auxiliary Cabinet (if required)

1816-081.....	540.00
---------------	--------

- Holds up to 16 relay boards and two (2) decoder boards

Step 5: Phone Blocks & Cables

1816-046 RJ71C Phone Block.....	250.00
---------------------------------	--------

- One (1) RJ71C required for each relay board in the system

1882-042 Connecting Cable (15-ft).....	120.00
--	--------

- One (1) connecting cable required for each relay board in the system

1882-044 Connecting Cable Special Length	3.00 / ft
--	-----------

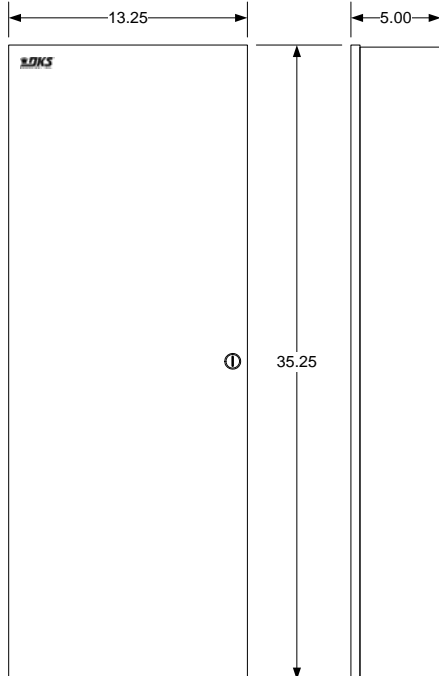
- Add cost per foot to 1882-042

Step 6: Choose a Lobby Panel Pg 14-15

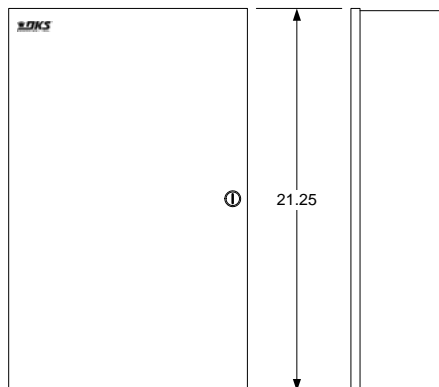
Model 1820

Intercom w/ Call Down

The 1820 Intercom System is a unique communication and access control device that provides two-way voice communication and control of a main entry door through the resident's own telephone without the need of a central office (C.O.) phone line. The 1820 has an easy to use "call down" feature that allows a building resident to quickly contact the Doorman, Concierge (or any other station designated as the call down station) by pressing two buttons on their touch-tone phone.



1820-080 / 1820-081



1820-082 / 1820-083

Step 1: Choose a Main Control Cabinet

1820-080 Houses 9 Interface Boards (108 Lines)	1840.00
1820-082 Houses 4 Interface Boards (48 Lines)	1620.00

- Main control cabinets do not include line interface boards

Step 2: Line Interface Boards

1884-010	1280.00
----------------	---------

- One (1) line interface board required for every 12 phone lines to be interfaced

Step 3: Power Supply Boards (if required)

1886-010	216.00
----------------	--------

- Only required if more than 21 line interface boards are used, then one (1) required for every 21 line interface boards in the system thereafter

1508-060 Power Transformer	41.50
----------------------------------	-------

- One (1) required for each 1886-010 power supply board

Step 4: Auxiliary Cabinet (if required)

1820-081 Large Cabinet	540.00
------------------------------	--------

- Holds up to 12 line interface boards and one (1) power supply board

1820-083 Small Cabinet	330.00
------------------------------	--------

- Holds up to eight (8) line interface boards or seven (7) line interface boards and one (1) power supply board

Step 5: Phone Blocks & Cables

1816-046 RJ71C Phone Block	250.00
----------------------------------	--------

- One (1) RJ71C required for each relay board in the system

1820-047 RJ71C Phone Block Powered	260.00
--	--------

- Use in place of 1816-046 if resident(s) do not have central office phone service and call down feature is enabled

1882-042 Connecting Cable (15-ft)	120.00
---	--------

- One (1) connecting cable required for each relay board in the system

1882-044 Connecting Cable Special Length	3.00 / ft
--	-----------

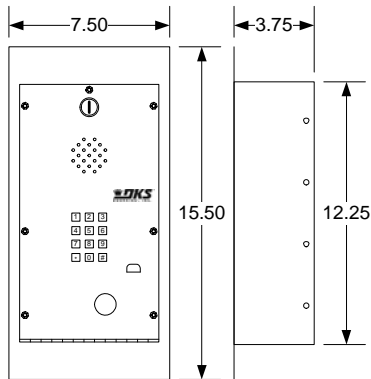
- Add cost per foot to 1882-042

Step 6: Choose a Lobby Panel Pg 14-15

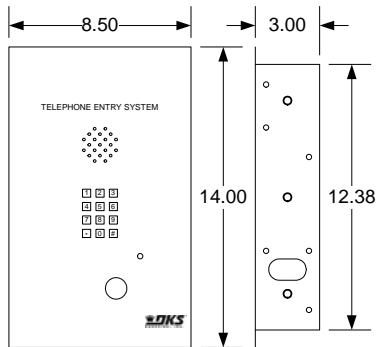
Model 1816 / 1820

1802 / 1803 Lobby Panels

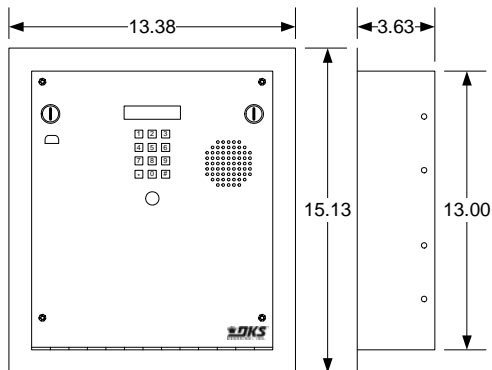
Lobby panels can only be used with the 1816 or 1820 intercom systems; they cannot be connected directly to a central office phone line.



1802-085 / 1802-086
Shown with 1802-150 Frame



1802-087 / 1802-088
Shown with 1802-152 Box



1803-097
Shown with 1803-150 Recess Kit

1802 Vandal Resistant Lobby Panels

1802-085 Front Access with Postal Provision 950.00

- Requires 1802-150 frame assembly

1802-086 Front Access no Postal Provision 950.00

- Requires 1802-150 frame assembly

1802-087 Rear Access with Postal Provision 1010.00

- Requires 1802-152 box assembly

1802-088 Rear Access no Postal Provision 1010.00

- Requires 1802-152 box assembly

1802 Lobby Panels

1802-083 Surface Mount 760.00

1802 Lobby Panel Mounting Accessories

1802-150 Frame Assembly 196.00

1802-152 Box Assembly 60.00

1803 Vandal Resistant Lobby Panel

1803-097 Front Access no Postal Provision 1060.00

- Requires 1803-150 Recess Kit

1803 Lobby Panels

1803-090 Surface Mount 890.00

1803-092 Flush Mount 890.00

1803-094 Flush Mount Gold Plated 1540.00

1803 Lobby Panel Mounting Accessories

1803-150 Surface Mount Recess Kit 196.00

1814-165 Flush Mount Kit Stainless 330.00

1814-166 Flush Mount Kit Gold 870.00

Accessories

1701-080 20-Name Directory 130.00

1702-080 60-Name Directory 190.00

1710-080 Large Directory Surface Mount 400.00

1710-081 Large Directory Flush Mount 400.00

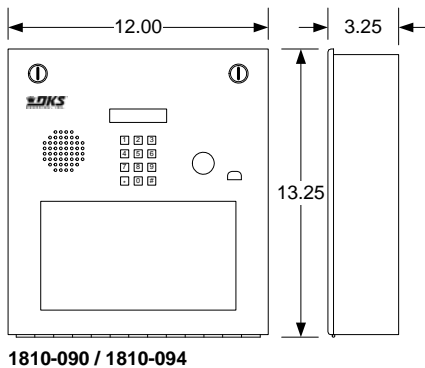
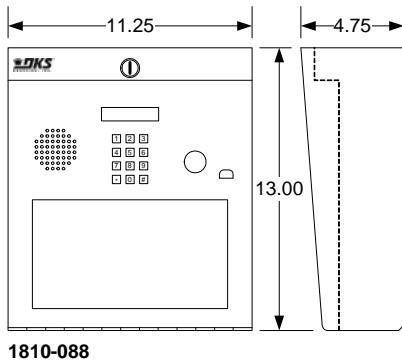
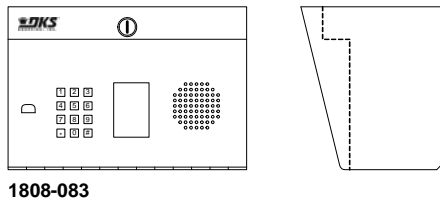
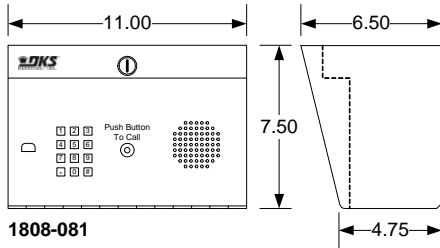
1720-080 Fluorescent Light Kit 368.00

Color Camera Kits Pg 27

Model 1816 / 1820

1808 / 1810 Lobby Panels

Lobby panels can only be used with the 1816 or 1820 intercom systems; they cannot be connected directly to a central office phone line.



1808 Lobby Panels

1808-081 Surface Mount	870.00
1808-083 Surface Mount w/Directory	950.00

- 1808 lobby panels do not have any postal lock provisions
- Small paper directory in 1808-083 model can show approximately 10 names, depending on font size and style used

1810 Lobby Panels

1810-088 Surface Mount	1010.00
1810-090 Flush Mount	1010.00
1810-094 Flush Mount Gold-Plated	1660.00

1810 Lobby Panel Mounting Accessories

1803-150 Surface Mount Recess Kit	196.00
1814-165 Flush Mount Kit Stainless	330.00
1814-166 Flush Mount Kit Gold	870.00
1814-152 Surface Ring for Flush Units Stainless	196.00

- See page 19 for additional information on mounting kits

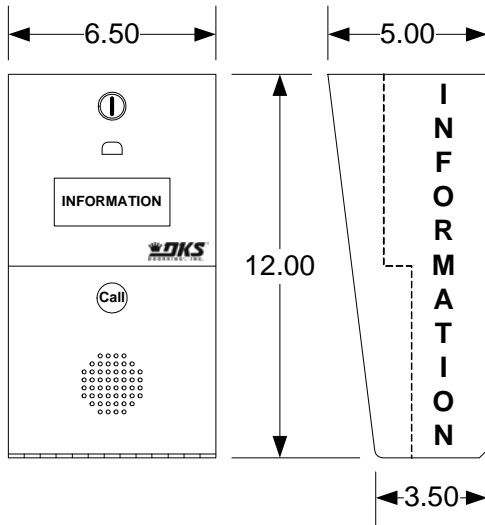
Accessories

1701-080 20-Name Directory	130.00
1702-080 60-Name Directory	190.00
1710-080 Large Directory Surface Mount	400.00
1710-081 Large Directory Flush Mount	400.00
1720-080 Fluorescent Light Kit	368.00
Color Camera Kits	Pg 27

Model 1819

Information Phone

The 1819 is an information telephone that is suited for applications that require only a single phone number to be called. Visitors simply press the single CALL button to establish communication and are easily identified by voice communication. Access can be granted or denied directly from a touch-tone telephone.



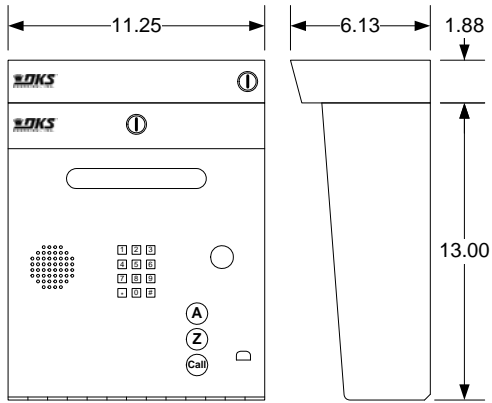
- 1819-080.....1180.00
 - Includes 16 VAC power transformer
- 2600-588 Heater Kit..... 114.00
- 1802-111 Post Mount Adapter Plate 99.00
 - Required to mount surface mount units to mounting posts
- Color Camera KitsPg 27
- Mounting Posts.....Pg 20-21

Model 1819 Specifications			
Max Phone Numbers	Max Entry Codes	Relays	Directory
1	N/A	1	None

Model 1720

Fluorescent Light Kit

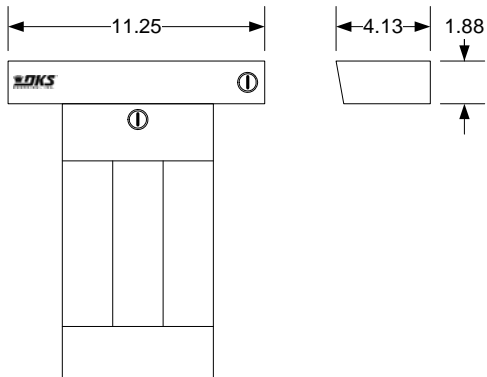
Fluorescent light kits are designed to offer improved lighting for DKS telephone entry systems and add-on directories. Fluorescent lighting provides exceptional visibility on the entry system face plate allowing easy use of the systems even at night.



1720-080 shown mounted on surface mount telephone entry system

1720-080 Long 368.00

- Use with 1803, 1810, 1833, 1834, 1835, 1837 surface mount telephone entry systems and 1710 add-on directory
- Includes power transformer



1720-081 shown mounted on 1702 directory

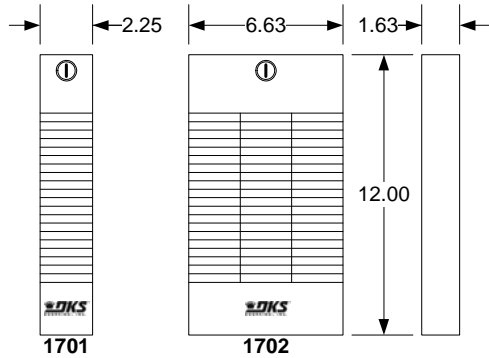
1720-081 Short 360.00

- Use with add-on directories
- Includes power transformer

Model 1701 / 1702 / 1710

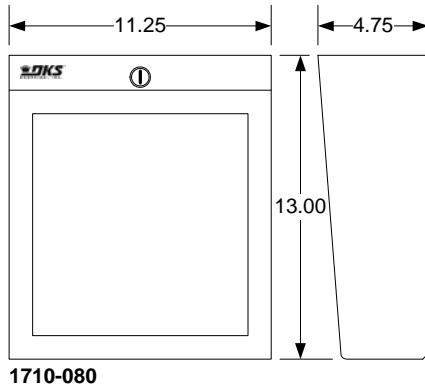
Add-On Directories

These add-on directories can be used in both indoor and outdoor applications. Use the 1701 and 1702 for low capacity, non-lighted applications. The 1710 is ideal for higher capacity applications and is lighted.



1701 / 1702 Directories

1701-080.....	130.00
• 20 name capacity	
1702-080.....	190.00
• 60 name capacity	

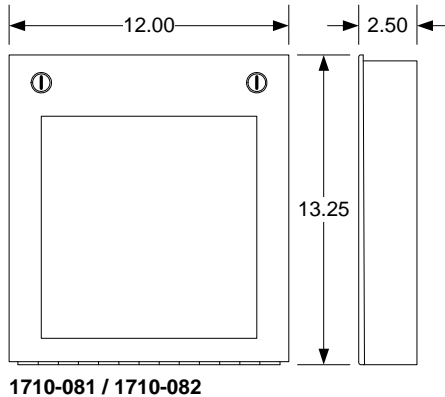


1710 Directories

1710-080 Surface Mount	400.00
1710-081 Flush Mount.....	400.00
1710-082 Flush Mount Gold Plated	1050.00
• 1710 directories use standard size paper (8-1/2 x 11). Number of names is dependant on font style, size and spacing used.	

1710 Directory Mounting Accessories

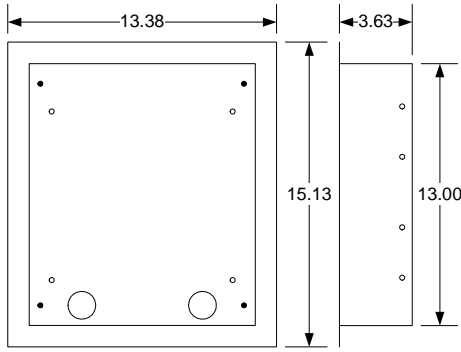
1803-150 Surface Mount Recess Kit	196.00
1814-165 Flush Mount Kit Stainless.....	330.00
1814-166 Flush Mount Kit Gold	870.00



Accessories

Mounting Kits

Mounting kits are used to simplify installation of surface and flush mount telephone entry systems and directories.

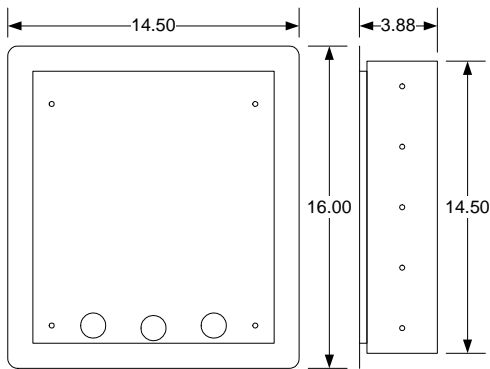


1803-150

Surface Mount Recess Kit

1803-150..... 196.00

- Use with surface mount 1803, 1810, 1833, 1834, 1835 and 1837 telephone entry systems



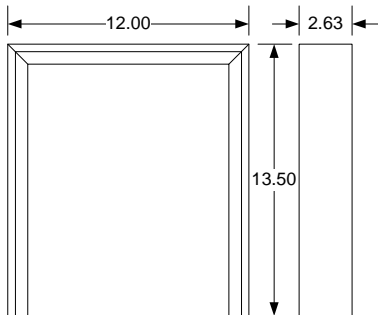
1814-165 / 1814-166

Flush Mount Kits

1814-165 Stainless Steel 330.00

1814-166 Gold Plated 870.00

- Use with flush mount 1803, 1810, 1833, 1834, 1835 and 1837 telephone entry systems



1814-152

Surface Mount Ring for Flush Units

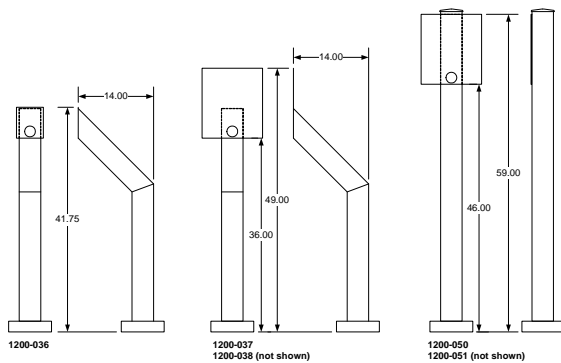
1814-152..... 196.00

- This surface mount ring is used with flush mount units and allows the flush mount unit to be mounted directly to a flat surface. Not recommended for outdoor use.

Mounting Posts

Architectural & Standard Mounting Posts

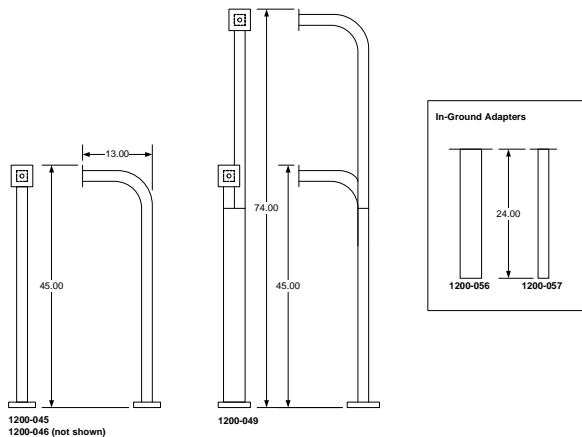
Architectural and standard mounting posts are designed for pad mounting or can be mounted using an in-ground adapter. All posts include a base plate and base plate cover. The architectural posts are available in an offset configuration for vehicular traffic, or can be ordered in a straight configuration for walk-up pedestrian applications. The standard posts are available in a gooseneck design only.



Architectural Posts

1200-036 Offset Pad Mount Small	470.00
1200-037 Offset Pad Mount	500.00
1200-038 Offset In-Ground Mount.....	433.00
1200-050 Straight Pad Mount.....	412.00
1200-051 Straight In-Ground Mount	360.50
1200-056 In-Ground Adapter.....	290.00

- These posts are constructed from 4" x 4" steel stock and have a 8" x 8" base plate
- In-ground adapter provides a mount for posts with base plates
- In-ground mount posts do not have a base plate and extend an additional 24 inches in length



Standard Posts

1200-045 Pad Mount	214.00
1200-046 In-Ground Mount.....	214.00
1200-049 Dual Height	450.00
1200-057 In-Ground Adapter.....	190.00

- These posts are constructed from 2" x 2" steel stock and have a 5" x 5" base plate
- In-ground adapter provides a mount for posts with base plates
- In-ground mount posts do not have a base plate and extend an additional 24 inches in length

Accessories

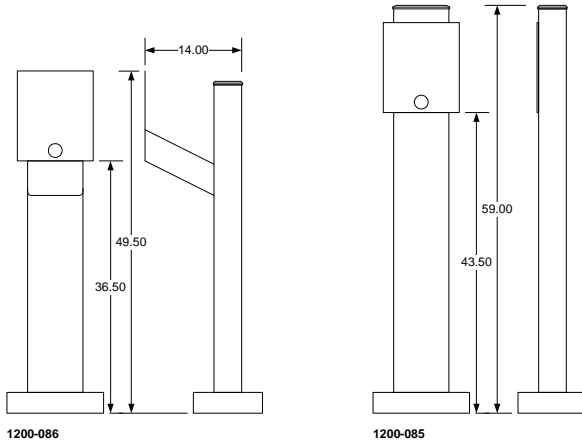
1802-111 Adapter Plate.....	99.00
-----------------------------	-------

- Use with 1200-036, 1200-045, 1200-046, 1200-049 mounting posts to mount 1802, 1802-EPD and 1819 telephone entry systems to these posts

Mounting Posts

Designer Style Mounting Posts

Designer style mounting posts are designed for pad mounting or can be mounted using the in-ground adapter. All posts include a base plate and base plate cover. These posts are available in an offset configuration for vehicular traffic, or can be ordered in a straight configuration for walk-up pedestrian applications. An electrical compartment can hold up to four (4) accessory transformers, three (3) surge suppressers and an RF radio receiver. Additionally, the optional light extension provides exceptional illumination.



Designer Posts

1200-086 Offset Pad Mount	1500.00
1200-085 Straight Pad Mount	1430.00
1200-058 In-Ground Adapter	590.00
1200-053 Post Cap	110.00

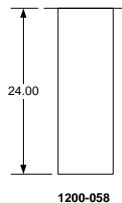
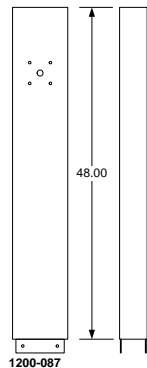
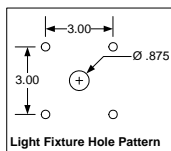
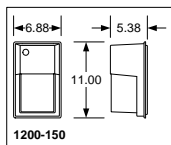
- These posts are constructed from 4" x 8" steel stock and have a 10" x 14" base plate
- In-ground adapter provides a mount for posts with base plates

1200-087 Light Tower	580.00
----------------------------	--------

- Does not include light assembly

1200-150 Light Assembly	390.00
-------------------------------	--------

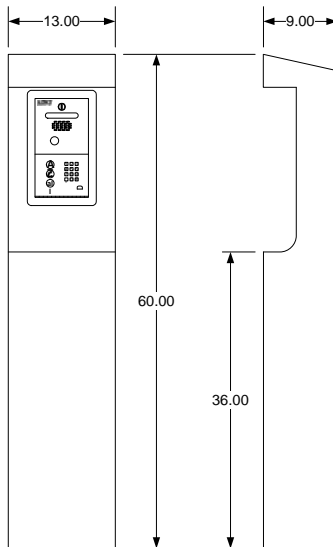
- 120 Volt Fluorescent light
- Photocell for automatic dusk-to-dawn operation
- Cast aluminum back



Mounting Kiosks

Kiosks Style Mounting Posts

Kiosk style mounting posts are pad mounted and are designed to accommodate flush style telephone entry systems only. These kiosks are designed for walk-up pedestrian applications. An electrical compartment can hold up to four (4) accessory transformers, three (3) surge suppressers and an RF radio receiver. Additionally, these kiosks include ultra bright LED illumination that provides exceptional illumination on the entry system.

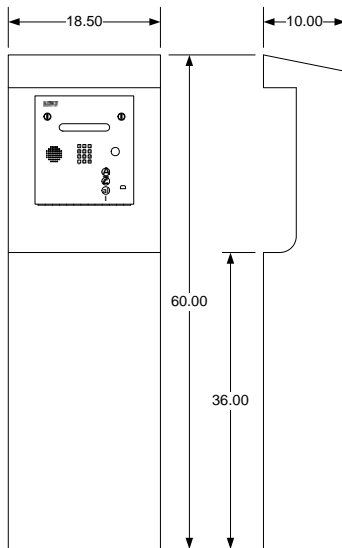


1200-160
(1802-EPD shown for illustrations purposes only)

Small Kiosks

1200-160 Small Kiosk.....3700.00

- 1200-160 is used with 1802 and 1802-EPD Flush Mount systems only.



1200-170 / 1200-175
(1835 shown for illustration purposes only)

Large Kiosk

1200-170 Large Kiosk.....3900.00

- 1200-170 is used with 1803, 1810, 1833, 1834, 1835 and 1837 Flush Mount systems only.

Large Kiosk

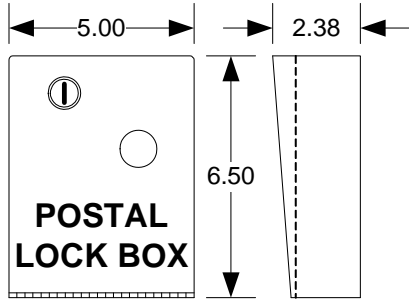
1200-175 Large Kiosk.....3900.00

- 1200-175 is used with 1812 Classic, Plus and Access Plus Flush Mount systems only.

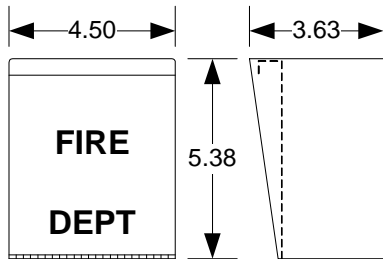
Lock Boxes

Postal and Fire Department

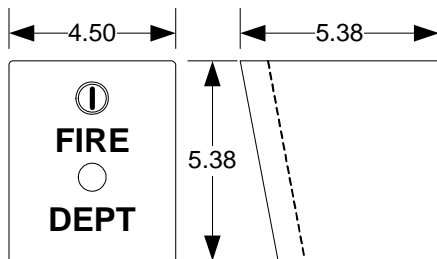
Postal and Fire Department lock boxes provide a method for these authorities to gain access through a controlled access point.



1402-080



1400-080



1401-080

1402-080..... 110.00

- Accepts standard postal key lock
- Postal lock can be installed to either open the 1402 box, or activate a door or gate
- Surface or post mount
- Painted postal blue

1400-080..... 100.00

- Accepts Fire Department pad lock
- Cover opens and activates a switch when the pad lock is removed
- Gate or door will hold open until the cover is closed and the pad lock replaced
- Surface or post mount
- Painted bright red

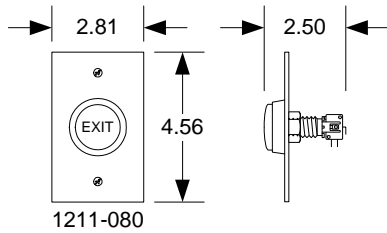
1401-080..... 100.00

- Accepts Knox 3501 key switch
- Surface or post mount
- Faceplate painted bright red, box is painted black

Exit Push Buttons

Standard & Piezoelectric Switches

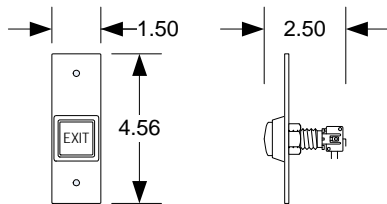
These push buttons are typically used as “request to exit” devices in access control applications. They can be installed in a single-gang electric box or can be mullion mounted.



1211-080

1211-080..... 52.00

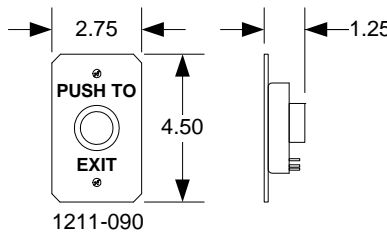
- Stainless steel faceplate
- Requires 12-volt AC or DC power to illuminate exit button
- Mounts into a single-gang electric box



1211-081

1211-081..... 48.00

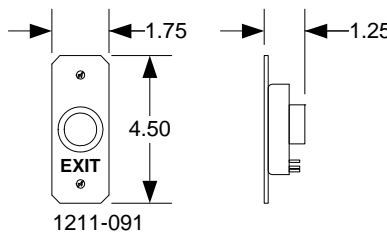
- Stainless steel faceplate
- Requires 12-volt AC or DC power to illuminate exit button
- Mullion mount



1211-090

1211-090..... 298.00

- Vandal resistant stainless steel faceplate and button cap
- Piezoelectric switch
- Selectable illumination status (red, green)
- Requires 12 to 24 Volt DC power
- Mounts into a single-gang electric box



1211-091

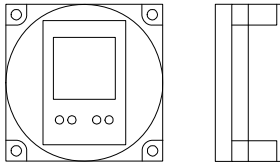
1211-091..... 298.00

- Vandal resistant stainless steel faceplate and button cap
- Piezoelectric switch
- Selectable illumination status (red, green)
- Requires 12 to 24 Volt DC power
- Mullion mount

Accessories

Time Clock & Surge Suppressers

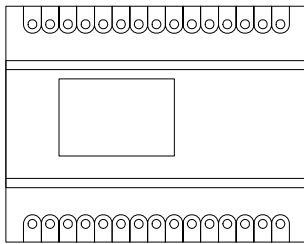
Electronic time clocks are ideal for use in applications where an access control system does not control "hold open" time periods. Surge suppressers are designed to provide additional protection to equipment in areas prone to voltage spikes and surges. Surge suppressers come with a plastic mounting bracket.



2600-791

2600-791..... 210.00

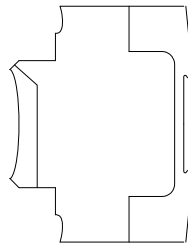
- 7 Day Time Clock
- 20 programs
- 24 Volt AC input power
- Form "C" dry contact relay



2600-795

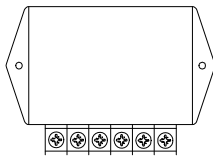
2600-795..... 650.00

- 365 Day Time Clock
- 7-Day and 24 hour programming features
- Holiday programming
- Automatic leap-year adjustment through 2095
- Daylight savings time
- 24 Volt AC input power



1879-080..... 130.00

- High Voltage (110-120 VAC)



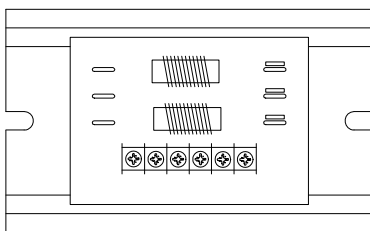
1879-080

1877-010..... 130.00

- Phone Line

1878-010..... 130.00

- Low Voltage (24-20 VAC)

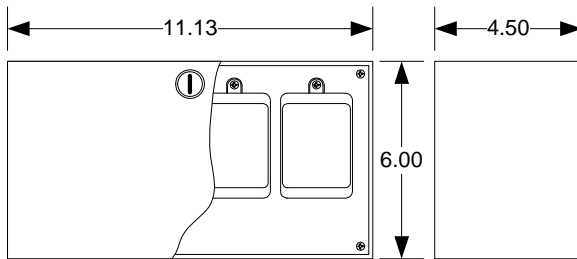


1877-010 / 1878-010

Accessory Transformers

12, 16, 24 Volt AC & DC Transformers

A variety of accessory transformers are available to power the different products that we sell. AC transformers are typically used with access control devices and controllers, while DC transformers are used with magnetic locks and proximity card readers. Check the individual product to determine which transformer is required. NOTE: Many of our products INCLUDE a transformer.

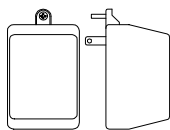


1200-080

Transformer Box

1200-080..... 195.00

- Holds up to four (4) 20-VA transformers
- Suitable for indoor and outdoor use
- Does not include transformers



20 VA Transformers

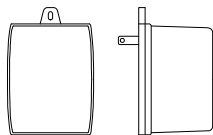
1215-061 12-Volt AC Output
1804-059 24-Volt AC Output
1804-060 16-Volt AC Output

20-VA Transformers

1215-061 12-Volt, AC..... 37.50

1804-059 24-Volt, AC..... 43.50

1804-060 16-Volt, AC..... 43.50

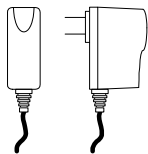


40 VA Transformer

1508-060 16-Volt AC Output

40-VA Transformer

1508-060 16-Volt, AC..... 48.00



DC Transformers

1812-020 12-Volt 1000 mA
1812-139 24-Volt 500 mA

DC Transformers

1812-020 12-Volt, 1000 ma 42.00

1812-139 24-Volt, 500 ma 48.00

Accessories

Handset Kits, CCTV Camera Kits

Handset Conversion Kit	
1807-012.....	350.00
Handset, adapter, hanger and speaker cover	
Replacement Handset	
1807-006.....	272.00

Isolation Transformers	
1830-140.....	64.00
Use with 1803, 1810, 1812 Plus	
1830-141.....	64.00
Use with 1812 Classic	

Miscellaneous	
1801-008 Backup Battery 12-Volt .8 AH	76.00
1804-193 External Speaker	168.00
Use in high noise areas	
1814-075 Secondary Keypad	370.00
Use with 1803, 1810	
2600-584 Heater Kit.....	140.00
2600-588 Heater Kit.....	114.00
2600-582 LCD Heater Kit.....	44.00
1816-070 Line Sense Relay	44.00
2600-655 Replacement Key HL 302	6.30
2600-657 Replacement Key 16120	6.30

CCTV Camera Kit – High Resolution	
1812-145.....	850.00
High resolution color camera kit (camera, mounting bracket, wire harness, power supply)	
Use this camera with the following models:	
1504-080, 1504-081, 1504-082, 1504-083, 1504-084, 1504-085, 1504-086, 1504-090, 1504-091, 1504-120, 1504-121, 1504-122, 1504-123, 1504-124	
1802-082, 1802-083, 1802-089, 1802-090, 1802-091	
1803-080, 1803-083, 1803-084, 1803-088, 1803-090, 1803-092, 1803-097	
1808-081, 1808-082, 1808-083, 1808-084, 1808-085	
1810-084, 1810-090, 1810-092, 1810-094, 1810-096	
1812-083, 1812-084, 1812-088, 1812-093, 1812-094	
1819-080	
1833-080, 1833-081, 1833-084, 1833-085	
1834-084, 1834-085, 1834-089	
1835-084, 1835-085, 1835-089	
1837-080, 1837-081, 1837-084, 1837-085	
1838-120, 1838-021, 1838-122, 1838-123, 1838-124	
CCTV Camera Kit – High Resolution	
1812-147.....	850.00
High resolution color camera kit (camera, mounting bracket, wire harness, power supply)	
Use this camera with the following models:	
1810-080, 1810-088, 1810-095	
1812-076, 1812-077, 1812-078, 1812-079, 1812-081, 1812-085, 1812-086, 1812-087, 1812-089, 1812-090, 1812-091, 1812-092, 1812-095, 1812-096, 1812-097	
1815-247, 1815-248, 1815-249, 1815-250, 1815-251	
1834-080, 1834-081	
1835-080, 1835-081	
1838-228	
Video Adapter	
1812-039.....	420.00
Converts coax to twisted pair for wire runs of up to 3000-ft (B/W) or 1600-ft (color), two required	

Replacement Components

Electronic Components

Circuit Boards	
1862-010	840.00
Use with 1802, 1802-EPD, 1803, 1808, 1810, 1819	
1863-010	600.00
Use with all "P" series lobby panels	
1871-010	1225.00
Use with 1812 Classic only	
1971-010	1225.00
Use with 1812 Plus only	
1890-010	231.00
LCD Programming display for 1802, 1803, 1810	
1885-010	1500.00
Use with 1816 and 1820 only	

LED Light Kits	
1804-700	52.00
Use with 1810 surface mount	
1804-701	20.00
Use with 1802 surface mount	
1804-702	36.00
Use with 1808	
1804-703	36.00
Use with 1710 directory	
1804-704	20.00
Use with 1812	
1804-707	36.00
Use with 1810 flush mount	

Keypads	
1895-016.....	116.00
Keypad with letters	
1895-017.....	116.00
Keypad no letters	
1895-019.....	110.00
Keypad 10-pin use with 1815-075	
1804-038.....	20.00
Ribbon cable for 1895-016 & 1895-017	
1804-155.....	130.00
Keypad (no letters) & ribbon cable	
1804-156.....	130.00
Keypad (with letters) & ribbon cable	
1804-013.....	160.00
Keypad & ribbon cable Gold Plated	

Miscellaneous	
1875-010.....	105.00
By-Pass switch (1812)	
1998-020.....	88.00
Replacement microphone kit	
1998-010.....	88.00
Replacement microphone board	
1997-190.....	10.50
Microphone wire harness for 1998-010 only	
1598-010.....	54.00
Secondary keypad (1814-075) interface board	
1899-010.....	150.00
Fluorescent light ballast assembly	
1804-034.....	32.00
Fluorescent bulb	
1804-290.....	24.00
5-watt speaker (square)	
1817-190.....	34.00
Oval speaker	